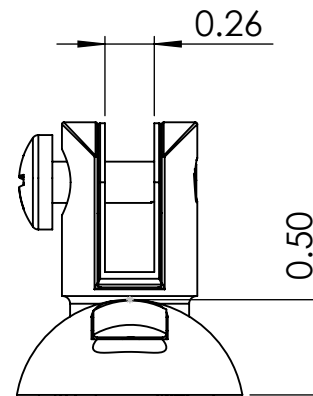
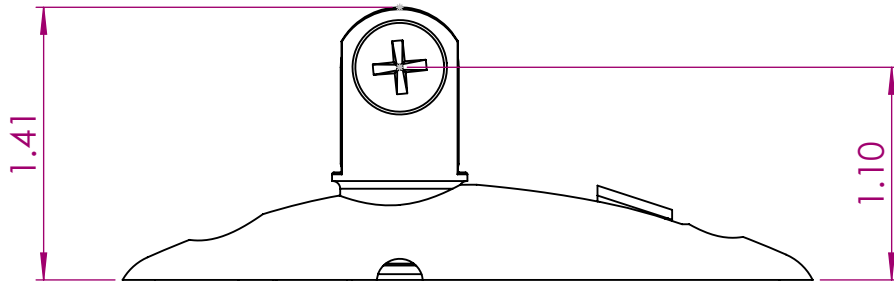
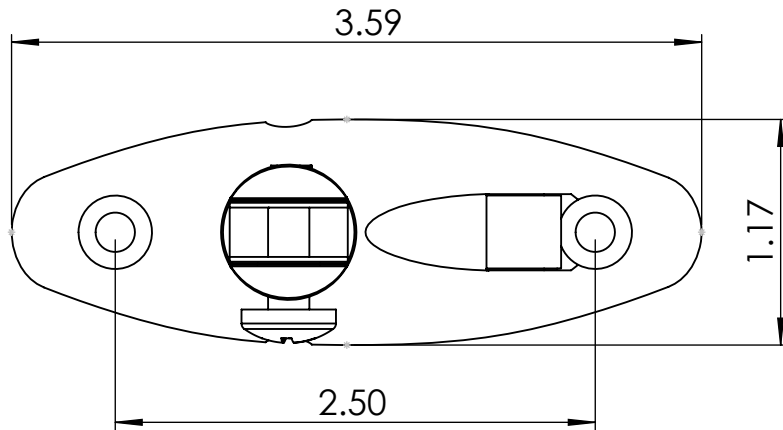


2

1

B

B



A

A

PROPRIETARY AND CONFIDENTIAL
 THE INFORMATION CONTAINED IN THIS DRAWING IS THE SOLE PROPERTY OF ACCON MARINE, LLC. ANY REPRODUCTION IN PART OR AS A WHOLE WITHOUT THE WRITTEN PERMISSION OF ACCON MARINE, LLC. IS PROHIBITED.

		UNLESS OTHERWISE SPECIFIED:		NAME	DATE
		DIMENSIONS ARE IN INCHES	DRAWN	MR	2.24
		TOLERANCES:	CHECKED		
		FRACTIONAL $\pm 1/64$	ENG APPR.		
		ANGULAR: MACH $\pm .5$ BEND $\pm .5$	MFG APPR.		
		TWO PLACE DECIMAL $\pm .05$	Q.A.		
		THREE PLACE DECIMAL $\pm .02$	COMMENTS:		
		INTERPRET GEOMETRIC TOLERANCING PER:			
		MATERIAL			
		316 S.S.			
		FINISH			
		POLISHED			
NEXT ASSY	USED ON				
APPLICATION		DO NOT SCALE DRAWING			

<i>Accon Marine, L. L.C.</i>		
TITLE:		
401 BASIC DIMS.		
SIZE	DWG. NO.	REV
A	401-WEBSITE	
SCALE: 1:1	WEIGHT: 0.27	SHEET 1 OF 1

2

1