

PIRANHA P4 HI-POWER | SURFACE MOUNT

PIRANHA
 — S E R I E S —



Introducing the all-new Piranha P4, an exciting addition to the proven Piranha range.

Patented X-Beam technology and a class leading 3100 Lumens in Single colour or Dual colour and 4000 lumens in RGBW colour change.

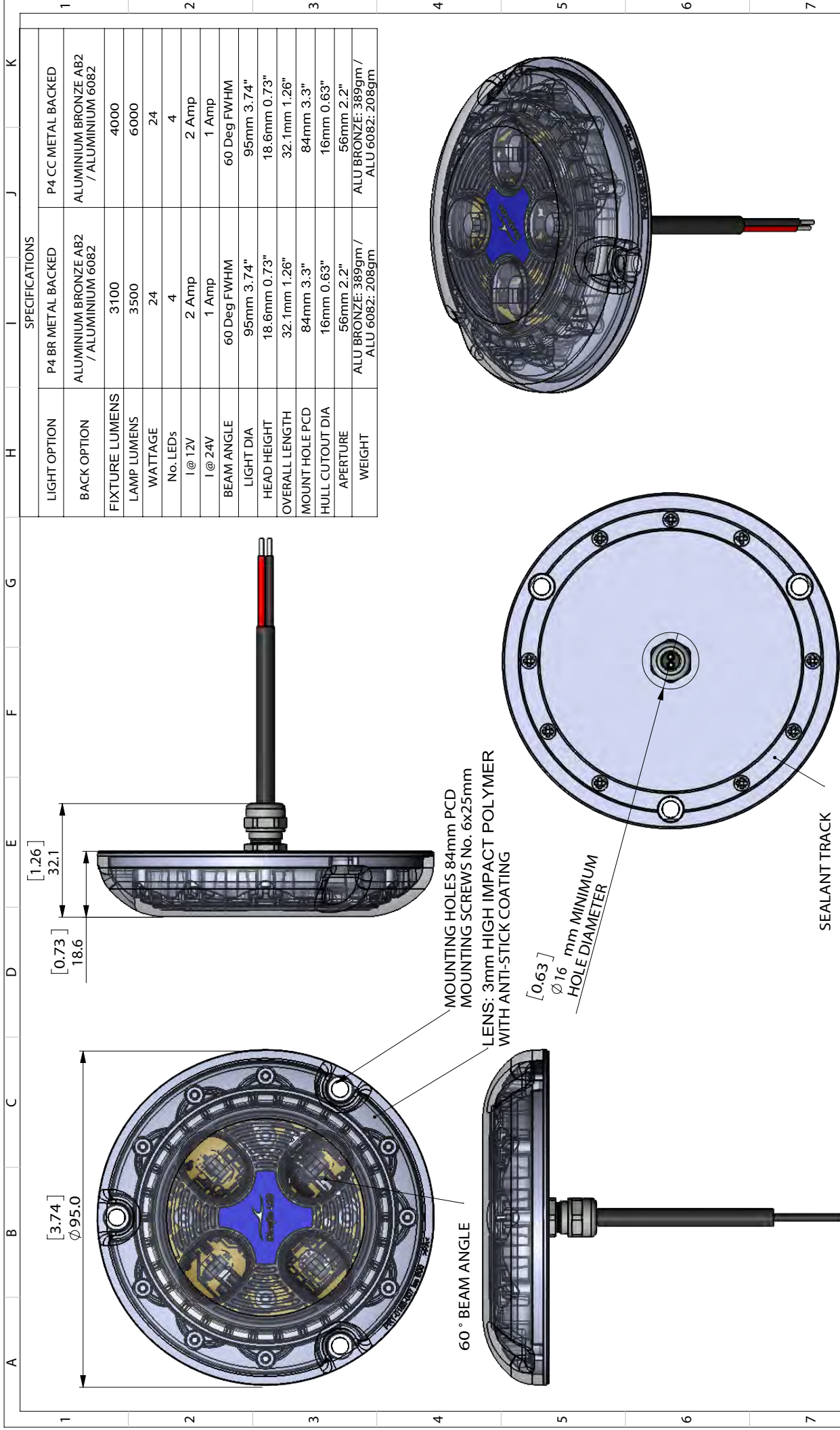
Compact & low-profile design makes the Piranha P4 the perfect choice for all types of boats and hull materials.

Incredibly simple to install just one small cable entry hole and 3 mounting screws.

- RINA Type Approved
- 2-Year Warranty

SPECIFICATION	PIRANHA P4 HI-POWER
Mounting Type	Surface
Hole cut out size	16 mm
Maximum Lamp Lumens	3500 / CC 6000
Fixture Lumens	3100 / CC 4000
Max Wattage	24 watts
Typical Life Expectancy	50,000 hours
Voltage	12v/24v
Power Draw	12v 2 amps/24v 1 amp
Protection	Over / Under Voltage, Over Current, Reverse Polarity protection, Active thermal protection. Hydro block technology
Fixture Profile	18.6mm
Fixture Diameter	95mm
Lens Type	Optical grade high impact polymer, Guard X Coating
Fixture Material	AB2 Marine grade Bronze or Aluminium Hard Anodised
Beam Angle	60 Degree
Warranty	2 Year
Type Approval	RINA IEC 60529
Available Colours	Diamond White 6500k Cobalt Blue Dual Colour White/Blue or Green/Blue Colour Change
Suitable Use	Suitable for in or out of water use
Spacing	1.2 - 2mtr
Driver Type	Integral
Total weight	Alu Bronze 389 gm, Aluminium 6082 is 208 gm
Attached cable length	2 mtr
Included in box	In-line fuse holder & rated fuse, Gel connector, Inline Crimps, Heat shrink, Fixing Screws, Template and installation instructions
ACCESSORIES	(OPTIONAL)
Junction Box	4 Way IP68 Wiring Junction Box
BL-Switch	Panel mount illuminated switch & wiring loom
I.Y.S Lighting Control	IYS Mini Lighting Control Module





IS	REV	STATUS	DATE	CHANGE	DWN	CHKD	APPD	NOTES:
D00	A	RELEASED	26/01/2024		DWL	APH	APH	
D00	B	RELEASED	21/03/2024	DETAILS	DWL	APH	APH	

ALL DIMENSIONS ARE IN MILLIMETERS	
TOLERANCES ON ALL DIMENSIONS UNLESS OTHERWISE STATED	
±0.25	±0.1
±0.05	±0.05
±0.5	±0.5
1 x 45	1 x 45
BREAK ALL SHARP EDGES: 0.1 TO 0.5	

 Bluefin LED <i>Underwater Lighting</i>	
<small>© 2014 BLUEFIN LED. THIS DOCUMENT AND THE INFORMATION CONTAINED HEREIN IS THE PROPERTY OF BLUEFIN LED. NO PART OF THIS DOCUMENT IS TO BE REPRODUCED OR TRANSMITTED IN ANY FORM OR BY ANY MEANS, ELECTRONIC OR MECHANICAL, INCLUDING PHOTOCOPYING, RECORDING, OR BY ANY INFORMATION STORAGE AND RETRIEVAL SYSTEM, WITHOUT PERMISSION IN WRITING FROM BLUEFIN LED.</small>	

DESCRIPTION:	PIRANHA P4 - METAL BACKED
MATERIAL:	SEE PART DRAWINGS
FINISH:	SEE PART DRAWINGS
DRAWING No:	GAA-01166 Iss D00B
ISSUE:	D00 B
REV:	B
STATUS:	RELEASED

SHEET:	1 OF 4	SCALE:	1:1 @ A3	THIRD ANGLE PROJECTION
--------	--------	--------	----------	------------------------

SPECIFICATIONS	
LIGHT OPTION	P4 BR METAL BACKED / P4 CC METAL BACKED
BACK OPTION	ALUMINIUM BRONZE AB2 / ALUMINIUM 6082
FIXTURE LUMENS	3100
LAMP LUMENS	3500
WATTAGE	24
No. LEDs	4
I @ 12V	2 Amp
I @ 24V	1 Amp
BEAM ANGLE	60 Deg FWHM
LIGHT DIA	95mm 3.74"
HEAD HEIGHT	18.6mm 0.73"
OVERALL LENGTH	32.1mm 1.26"
MOUNT HOLE PCD	84mm 3.3"
HULL CUTOOUT DIA	16mm 0.63"
APERTURE	56mm 2.2"
WEIGHT	ALU BRONZE: 389gm / ALU 6082: 208gm