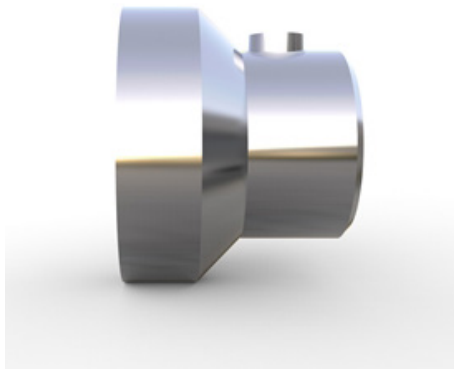
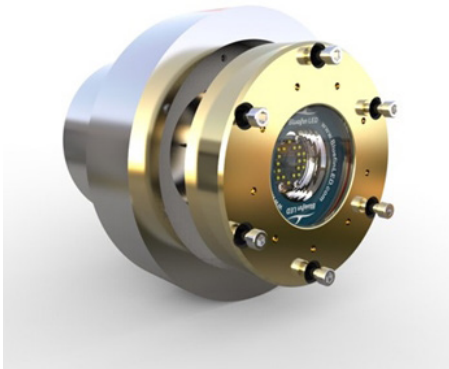


**SY ELITE SY48-ITS-FF**

**SUPERYACHT ELITE**  
— SERIES —



Designed specifically to fit into fuel, water tanks or bulbous bow where access inside the hull is limited.

The Bluefin Elite Superyacht SY48-ITS-FF series boasts the highest fixture lumen light output currently available on the market.

Flush fit weld in section for either steel or aluminium hulls

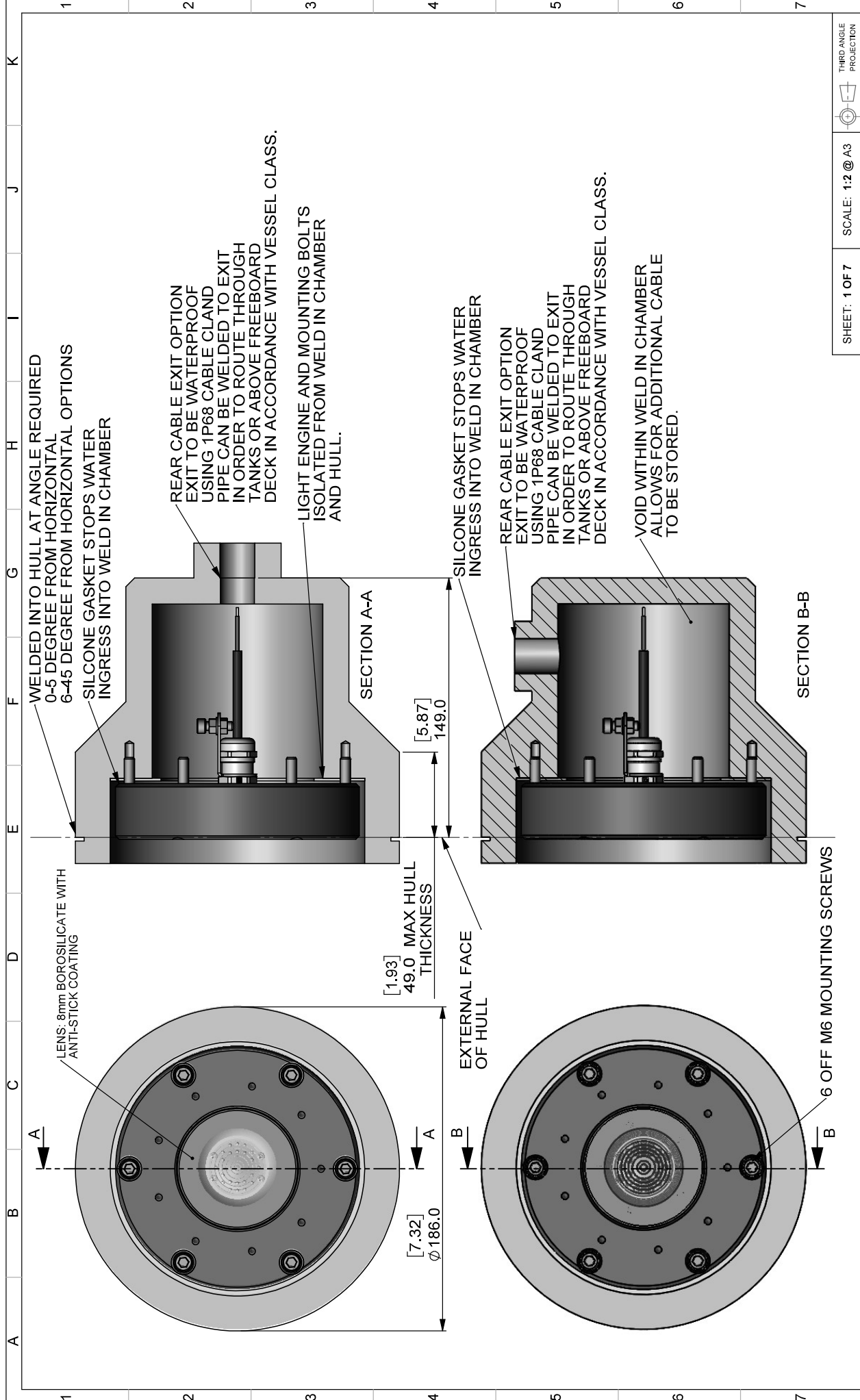
Available in White, Blue or RGBW Colour change

Controlled via our dedicated touchpad controller/ mobile device or can be integrated into the yachts existing DMX control system.

- Lloyds, Rina, DNV, ABS Type approval by design appraisal documentation.
- 2-Year Warranty

SPECIFICATION	SY48-ITS-FF	SY48-ITS-FF
Mounting Type	Flush fit 0-20 Degree or 0-45 degree options, weld in cofferdam for steel or aluminium hulls	
Cofferdam Type	Cofferdam type 0-20 degree & custom angles upon request	
Hole cut out size	186mm	
Fixture Lumens	26000	
Max Wattage	255 Watts	
Typical Life Expectancy	50,000 hours	
Voltage	110 / 220v	
Power Draw	2.3amp @ 110v / 1.1 amp @ 220v	
Protection	Over / Under Voltage and Current, Reverse polarity and Thermal regulation	
Fixture Length Std Cofferdam	149 mm	
Fixture Diameter	186mm	
Lens Type	Optical grade 8mm Borosilicate glass with Guard X coating	
Fixture Material	316L Stainless or Type Approved Aluminium	
Beam Angle	60 Degree FHWM	
Warranty	2 year	
Type Approval	Design Appraisal Document Lloyds, DNV , ABS or RINA	
Available Colours	Diamond White 6500k Cobalt Blue RGBW	
Features	Endless colours, cycling, strobe, dimmer or sound to light	
Suitable Use	Below the water-line only	
Spacing	1.2 - 2mtr	
Driver Type	External IP67 plug and play driver with built in WIFI / DMX	
Total weight	5.3 kg Stainless 3.5 kg Aluminium	8.9 kg Stainless 4.7 kg Aluminium
Attached cable length	2 mtr Plug and play IP67	
Included in box	Plug and play power communication leads and interlink cables, WIFI / DMX, driver box and fittings instructions	
<b>ACCESSORIES</b>	<b>(OPTIONAL)</b>	
WIFI/DMX Controller	DMX controller with built in WIFI and phone/tablet app download	





SHEET: 1 OF 7		SCALE: 1:2 @ A3		THIRD ANGLE PROJECTION	
DESCRIPTION: ORCA WELD-IN					
MATERIAL: N/A		FINISH: N/A		DRAWING NO: GAA-0162 Iss 02C	
ISSUE: 02		REV: C		STATUS: DEVELOPMENT	

ISS	REV	STATUS	DATE	CHANGE	DW	CHKD	APPD
02	A	DEV	17/09/2020		DWL	APH	APH
02	B	DEV	29/09/2021	INSTALLATION	DWL	APH	APH
02	C	DEV	30/09/2021	NOTES	DWL	APH	APH

NOTES:

ALL DIMENSIONS ARE IN MILLIMETERS

TOLERANCES ON ALL DIMENSIONS UNLESS OTHERWISE STATED

ANGLE UNITS: 40.25

ONE DECIMAL PLACE: 40.1

TWO DECIMAL PLACES: 40.05

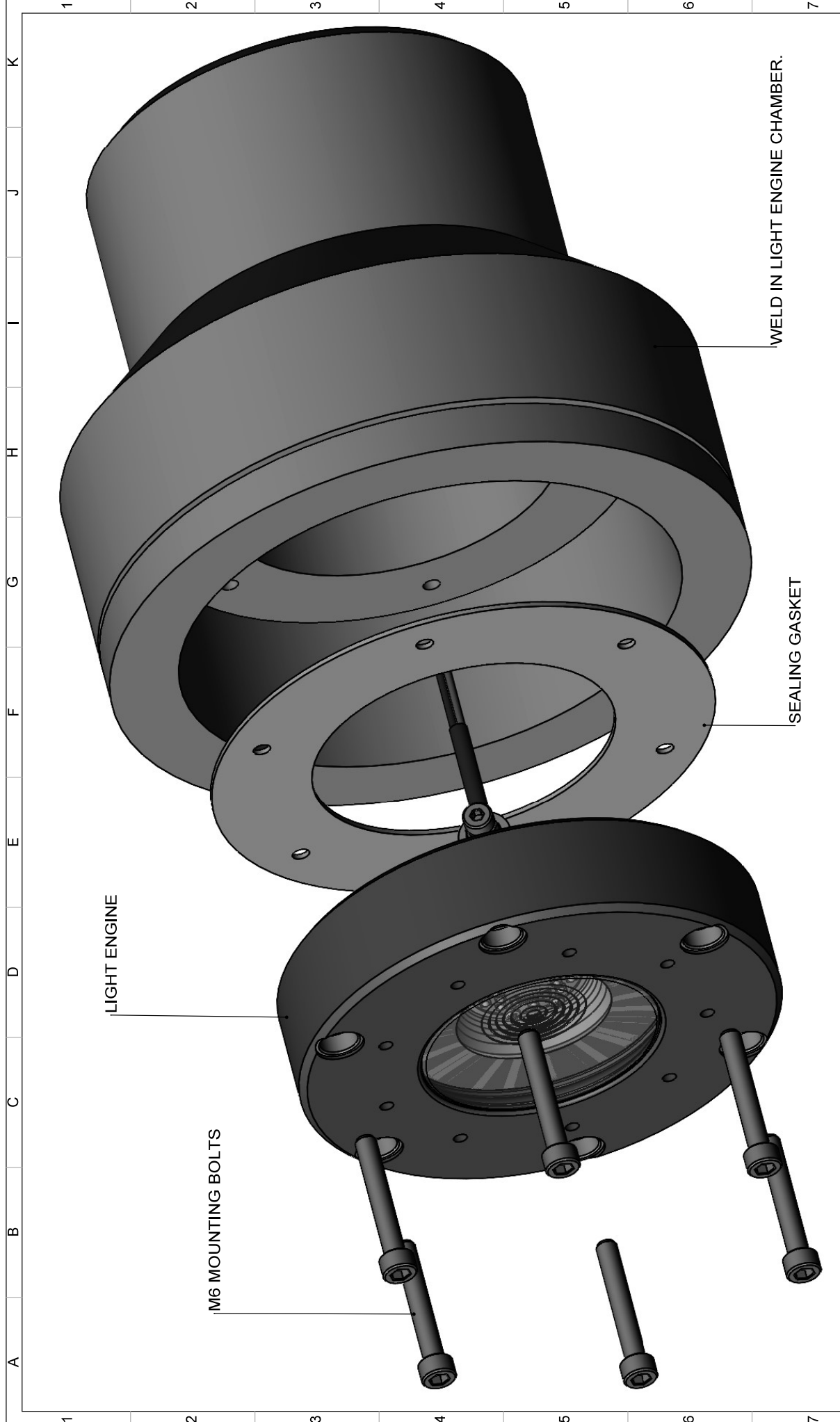
ANGLES: 40.5°


ALL UNSPECIFIED CHAMFERS: 1 X 45°

BREAK ALL SHARP EDGES: 0.1 TO 0.5

**Bluefin LED**  
Underwater Lighting

THIS DOCUMENT IS THE PROPERTY OF BLUEFIN LED. IT IS TO BE USED ONLY FOR THE PROJECT AND MUST NOT BE REPRODUCED OR DISCLOSED WITHOUT THE WRITTEN AUTHORIZATION OF BLUEFIN LED. NO DEVIATION FROM THIS DRAWING IS PERMISSIBLE WITHOUT WRITTEN AUTHORIZATION FROM BLUEFIN LED.



SHEET: 2 OF 7		SCALE: 1:1 @ A3		THIRD ANGLE PROJECTION				
DESCRIPTION: ORCA WELD-IN								
MATERIAL: N/A								
FINISH: N/A								
DRAWING NO: GAA-0162 Iss 02C		ISSUE: 02		REV: C				
				STATUS: DEVELOPMENT				
ISS		REV	STATUS	DATE	CHANGE	DWN	CHKD	APPD
02	A	DEV	17/09/2020					
02	B	DEV	29/09/2021	INSTALLATION				
02	C	DEV	30/09/2021	NOTES				
NOTES:								
ALL DIMENSIONS ARE IN MILLIMETERS								
TOLERANCES ON ALL DIMENSIONS UNLESS OTHERWISE STATED								
HOLE UNITS: ±0.25								
ONE DECIMAL PLACE: ±0.1								
TWO DECIMAL PLACES: ±0.05								
ANGLES: ±0.5°								
ALL UNSPECIFIED CHAMFERS: 1 X 45°								
BREAK ALL SHARP EDGES: 0.1 TO 0.5								
 <b>Bluefin LED</b> <i>Underwater Lighting</i> <small>3500 COOL WHITE LED, 5000K, 1000LM, 12VDC, 10W, 1000HOURS, 1/2" Ø, 1" L</small> <small>NO PART AND MUST NOT BE USED OR RECLOSED WITHOUT THE WRITTEN AUTHORIZATION OF COASTLINE LED. NO DEVIATION FROM THIS DRAWING IS PERMISSIBLE WITHOUT WRITTEN AUTHORIZATION FROM COASTLINE LED.</small>								