



Seats for **BOATS**



Scorpius XXL VDE e

Exclusive Helm Seat for Yachts

Scorpius XXL VDE e

Premium Comfort on Board

The Scorpius XXL VDE is a fully electrically adjustable helm seat designed for the most demanding customers. Perfect for modern yachts—it offers maximum control, exceptional comfort, and stylish design.



Hauptfunktionen

- Electrically adjustable footrest (100 mm travel)
- Electrically adjustable height base (100–200 mm travel)
- Electrically operated rotation function
- Electric floor rail – integrated into the ship's deck
- Adjustable backrest and sliding seat surface
- Lumbar support for ergonomic seating
- Multifunctional armrests with control panels
- Premium genuine leather upholstery
- Custom branding possible (e.g., logo)



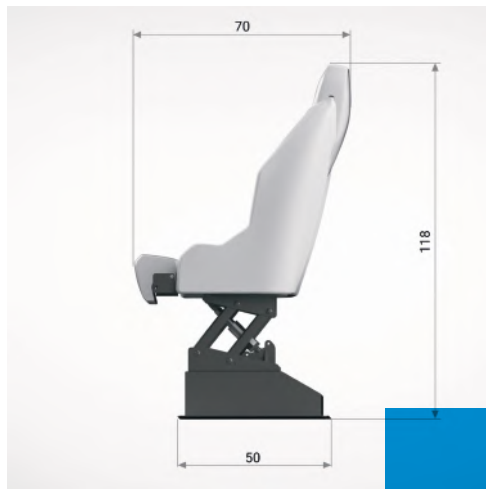
Ideal for:

- Yacht captains
- Shipyards and boat builders
- Marine interior designers

Crew Scorpius

Crew Scorpius is our seating solution that provides maximum support.

Its solid construction and excellent design make it stand out from the competition. It is also available in a version with a shorter seat.

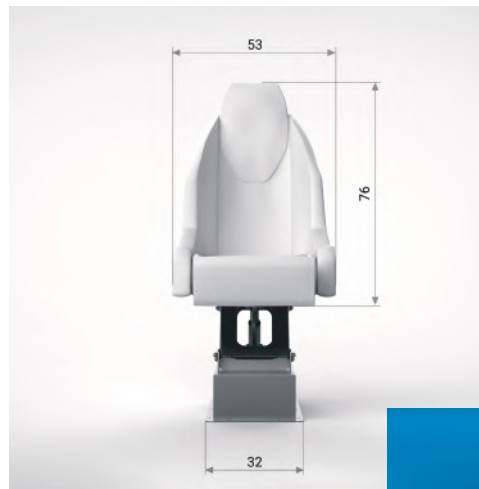


Side dimensions

Seat depth: 700 mm

Seat height with suspension: 1180 mm

Suspension base width: 500 mm



Front dimensions

■ Seat width: 530 mm

■ Seat height: 760 mm

■ Suspension base width: 320 mm



Additional Information:

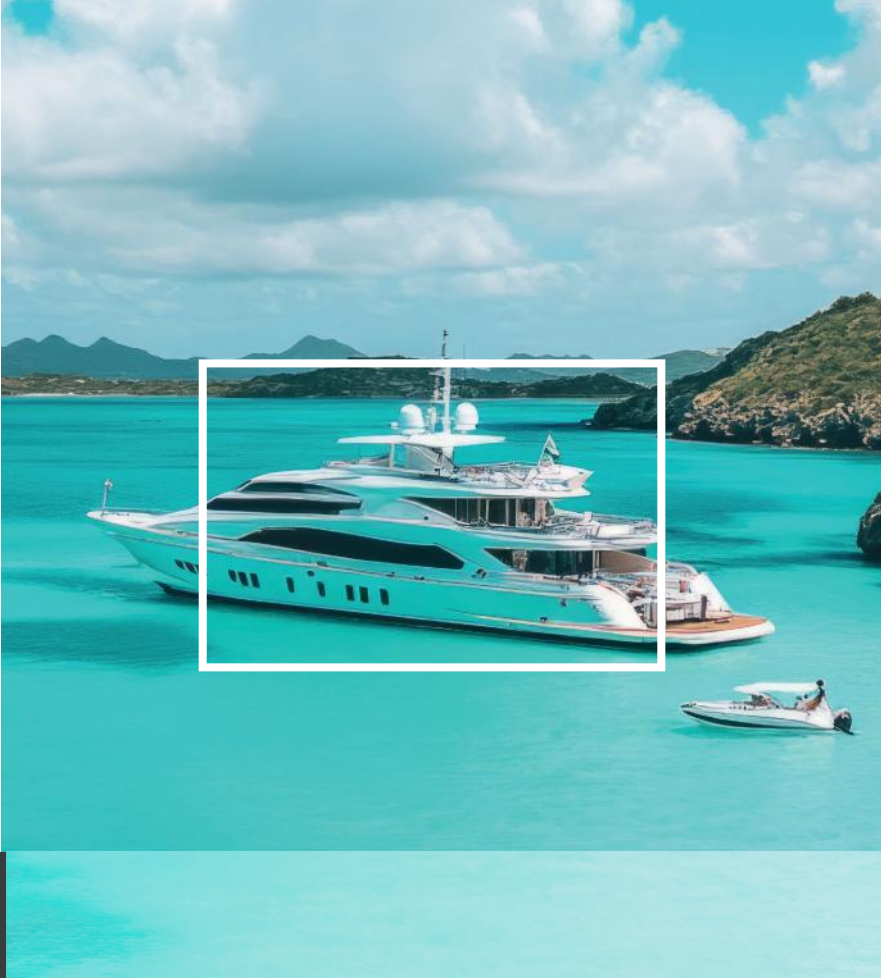
- This product is also available in genuine leather
- Complete modification options are available
- 3D Model available
- Production time: 6 weeks
- Heating option is possible

Crew Scorpius

Technical Data:

The internal base is made of polyester-glass laminate, and the stainless steel elements are crafted from high-quality polished 316 steel. Upholstery options include fabrics from renowned brands such as Sunbrella, Spradling, and Serge Ferrari.

- Width: 480 mm
- Depth: 410 mm
- Depth with Flip Up: 550 mm
- Height: 715 mm



Jockey



The Jockey seat is designed for users who value durability and versatility.

Jockey

Its fiberglass composite construction ensures resistance to corrosion and mechanical damage. With foam padding and robust SPRADLING materials, the seat offers unmatched comfort, even in extreme conditions. The ability to choose upholstery colors and patterns, as well as additional accessories, makes it an ideal choice for motorboat and yacht owners.



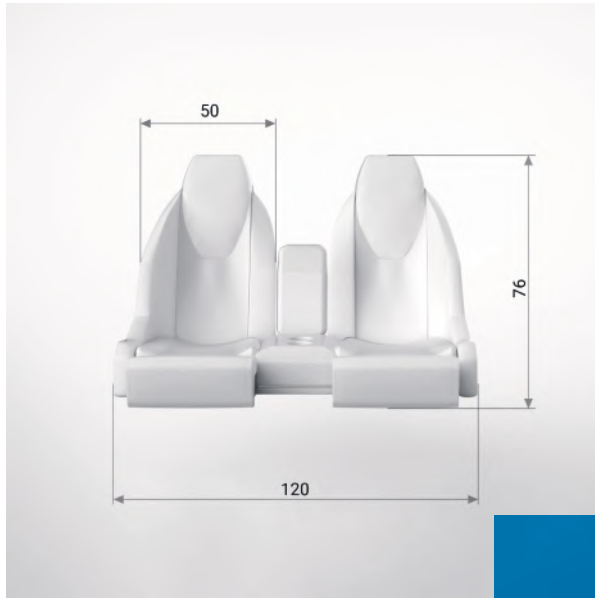
Scorpius Bench

Its fiberglass composite construction ensures resistance to moisture and UV rays, making it perfect for use in marine environments. The high-quality upholstery materials guarantee durability and ease of maintenance. With a wide selection of colors and customization options, the Scorpius Bench integrates seamlessly into any boat interior, adding a unique and distinctive touch.

The **Scorpius Bench** combines modern design with functionality, available in two- and three-person versions.



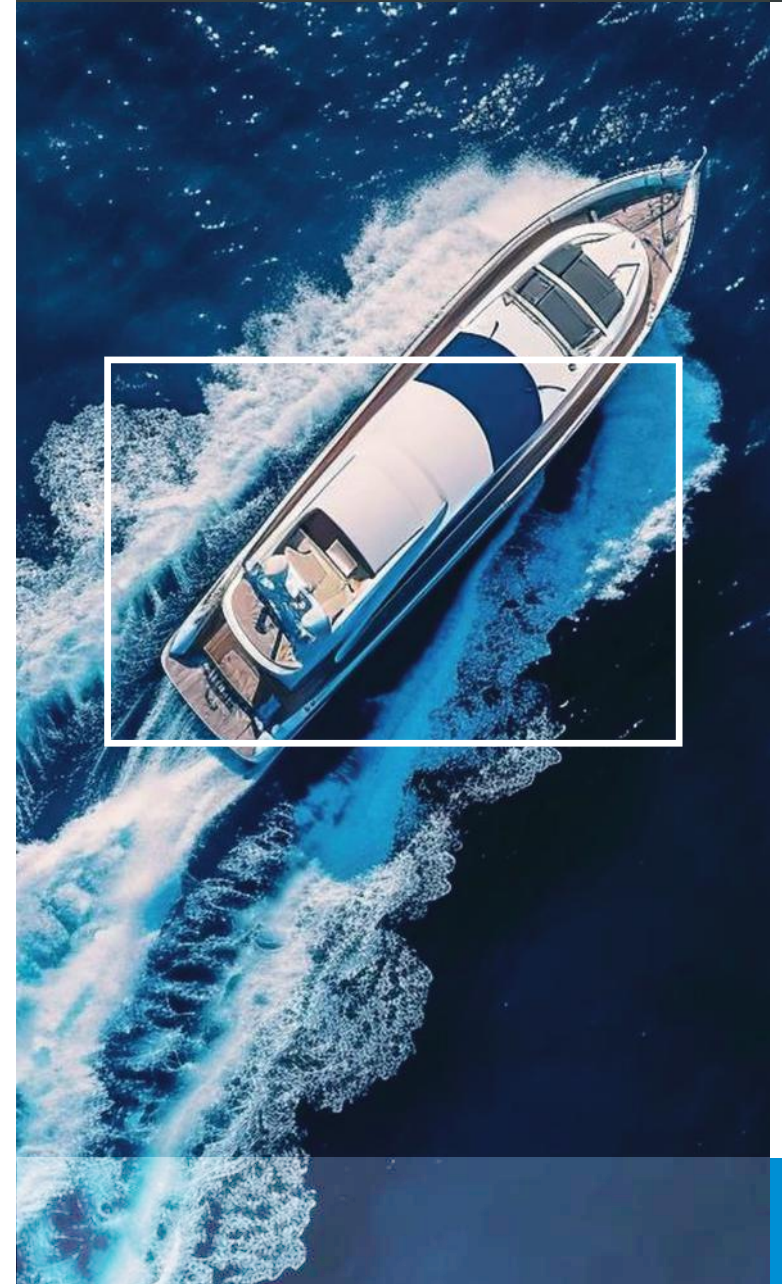
Scorpius Bench



- Seat width: 1200 mm
- Backrest width: 500 mm
- Seat height: 760 mm



- Seat width: 1800 mm
- Backrest width: 500 mm
- Seat height: 760 mm



Scorpius suspension Jockey



The Scorpius Suspension Seat is a professional Jockey seat designed for the most demanding users of RIB boats. Dedicated to military units, rescue services, and civilian operators, it offers an unmatched combination of durability, comfort, and functionality.



Scorpius suspension Jockey

Its ergonomic design, precisely tailored to the anatomical shape of the body, ensures maximum comfort and safety even in challenging marine conditions. The Scorpius is crafted using proven technologies and high-quality materials resistant to harsh weather, making it a reliable solution for both intensive use and long-term operations.

Key Features:

Safety and control: Optimized shock absorption reduces user fatigue in demanding conditions.

Versatile application: Perfect for professional missions as well as recreational cruises.

Durability: Constructed from top-quality materials resistant to seawater and UV rays.

The Scorpius Suspension Seat is the perfect choice for those seeking a top-tier Jockey seat that meets the highest standards and withstands the toughest challenges on the water.



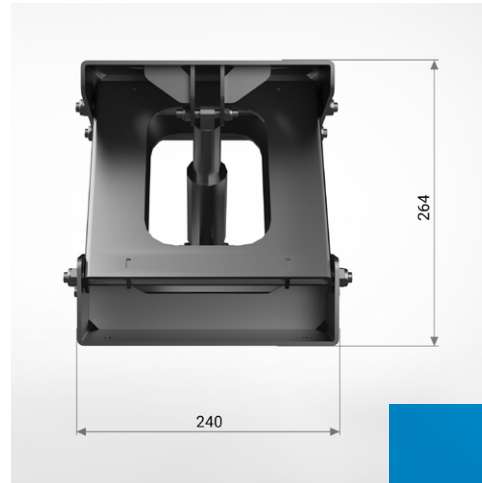
X1 Suspension

The X1 shock absorption set has been designed with durability and strength in mind. The construction is made of stainless or acid-resistant steel of grade 304 or 316, with a thickness of 5 mm, ensuring high resistance to corrosion and mechanical damage. The set can be powder-coated in black, white, or graphite. Additionally, the system is compatible with a FOX Racing air shock absorber, providing excellent vibration damping and exceptional comfort. The X1 Rising Base System has been designed to increase the height of the X1 shock absorption system, offering even greater comfort and customization to meet the user's needs. The base can be manufactured in any size chosen by the customer to perfectly match specific requirements.





X1 Suspension

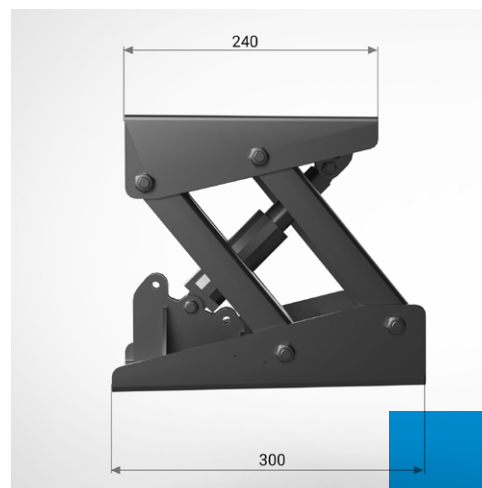


The X1 set, combined with the suspension systems from the renowned Rock Shox company, provides maximum user comfort in challenging conditions.

Made of stainless steel grade 316

Powder coating available in a variety of RAL colors

Strong and damage-resistant construction made of material with a thickness of up to 5 mm.



The full set, depending on the customer's needs, includes:

Powder-coated aluminum riser base with dimensions of 150 x 270 x 500 (height / width / length)

X1 set with pressure and rebound speed adjustment.

Dimensions: 280 / 270 / 260 (three-stage height adjustment) x 270 x 300

60-degree swivel base or a 360-degree swivel slider.

Dimensions: 50 x 170 x 170.

Dedicated RIB EVO Seat with reinforced and modified construction



CONTACT US



+49 2921 3548420



Werler Landstraße 6-8
59494 Soest, Deutschland



mk-seats.com



info@mk-seats.com